

iDS-2CD8A87G0/PW-RWZ(D)

8 MP 1/1.8" Hikvision Intelligent High-rise Littering Detection Camera



- It is specially used for high-altitude parabolic monitoring scene to solve the problem of scene adaptability derived from the installation mode and scene different from ordinary monitoring.
- The equipment is equipped with rain sensor, which can automatically start and stop the wiper and adjust the wiper speed according to the rainfall, so as to effectively ensure the clear imaging of the camera in rainy days.
- The surrounding light shield design is adopted to avoid abnormal light spot and reflection of the image.
- The equipment has self-cleaning function, automatically collects water and regularly sprays water on the lens to remove dirt.
- It supports the heating of lens window glass, senses the temperature of window glass through intelligent sensing chip, and automatically adjusts the heating power without fear of rain, snow, frost, condensation, etc.
- Professional blue glass lens and special image algorithm can effectively improve the interference of reflected light and stray light in the up looking scene and solve the problem of backlight
- Support intelligent detection of high-altitude parabolic events, with simple configuration; Falling objects above 8×8 pixels can be detected effectively in typical installation scenarios; It can effectively filter insects, birds, leaves, drying clothes and other interference targets; Support 4 algorithm shielding area settings to reduce environmental impact
- It supports mosaic to block privacy areas and protect residents' privacy. It supports up to 4 regional settings
- Up to 8 MP resolution (3840 × 2160 by default) and can output 25 fps real-time images at this resolution
- Support low bit rate, low delay, ROI region of interest enhancement coding and SVC adaptive coding technology
- Clear imaging against strong back light due to 120 dB true WDR technology
- Support BLC, Defog, EIS, 3D DNR
- Support open network video interface, ISAPI, SDK, ISUP (Ehome)
- Support dual-stream technology and 20 channel stream at the same time
- Power supply mode: DC: 12 V ± 20%, PoE: 802.3at
- Water and dust resistant (IP67) and the sealing design supports effective waterproof in elevation installation scenarios

▪ Specification

Camera	
Image Sensor	1/1.8" Progressive Scan CMOS
Shutter Time	1 s to 1/100,000 s
Wide Dynamic Range (WDR)	120 dB
Slow Shutter	Support
P/N System	P/N
Min. Illumination	Color: 0.0005 Lux @(F1.0,AGC ON)
Lens	
Focal length & FOV	2.8~12mm @F1.0, horizontal FOV: 78°~55.5°, vertical FOV: 42.5°~30.9°, diagonal FOV: 92.75°~63.9° 8~32 mm @F1.7, horizontal FOV: 41.8°~14.9°, vertical FOV: 22.9°~8.5°, diagonal FOV: 48.7°~17.1°
Video	
Max. Resolution	3840 × 2160
Main Stream	50 Hz: 25 fps (3840 × 2160, 3072 × 1728, 2560 × 1440, 1920 × 1080, 1280 × 720) 60 Hz: 30 fps (3840 × 2160, 3072 × 1728, 2560 × 1440, 1920 × 1080, 1280 × 720)
Sub-Stream	50 Hz: 25 fps (704 × 576, 640 × 480) 60 Hz: 30 fps (704 × 480, 640 × 480)
Video Compression	Main Stream: H.265/H.264 Sub-Stream: H.265/H.264/MJPEG
Video Bit Rate	32 Kbps to 16 Mbps
H.264 Type	Baseline Profile/Main Profile/High Profile
H.265 Type	Main Profile
Region of Interest (ROI)	4 fixed regions for main stream and sub-stream
H.264+	Support
H.265+	Support
Bit Rate Control	CBR/VBR
Scalable Video Coding (SVC)	H.264 and H.265 encoding
Network	
API	Open Network Video Interface, ISAPI, SDK, ISUP (Ehome5.0)
Simultaneous Live View	Up to 20 channels
Network Storage	Support micro SD / micro SDHC / micro SDXC card (up to 256 GB) local storage and auto network replenishment (ANR), NAS (NFS, SMB/CIFS). Together with high-end Hikvision memory card, memory card encryption and health detection are supported.
Network Protocol	TCP/IP, ICMP, HTTP, HTTPS, FTP, DHCP, DNS, DDNS, RTP, RTSP, RTCP, PPPoE, NTP, UPnP, SMTP, SNMP, IGMP, 802.1X, QoS, IPv6, UDP, Bonjour, SSL/TLS, WebSocket, WebSockets
User/Host	Up to 32 users 3 user levels: administrator, operator, and user
Client	iVMS-4200
Web Browser	Plug-in required live view: IE 10, IE 11 Plug-in free live view: Chrome 57.0+, Firefox 52.0+, Safari 12+
Image	
Image Parameter Switch	Yes
Picture Overlay	LOGO picture can be overlaid on video with 128 x 128 24bit bmp format
Image Settings	Saturation, brightness, contrast, sharpness, AGC and white balance adjustable by client software or web browser
Image Enhancement	BLC, HLC, Defog, EIS, 3D DNR
Interface	
Ethernet Interface	1 RJ45 10 M / 100 M self-adaptive Ethernet port
Reset Key	Yes
Wiper	Yes

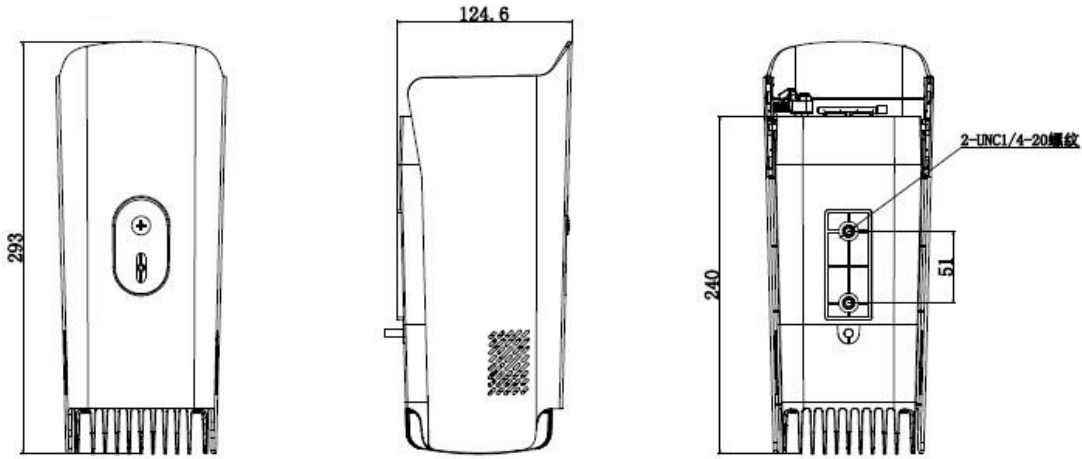
Extension Interface	Support semiconductor refrigeration water collection and spraying to realize self-cleaning
Smart Function	
Basic Event	Motion detection, video tampering alarm, illegal login, HDD full, HDD error, abnormal reboot.
Deep Learning Function	
High-rise Littering Detection	Supports the detection of high-altitude parabolic objects, up to 110 targets at the same time. Supports the configuration of alarm sensitivity and confidence, can adapt to a variety of different scenes. Supports the drawing function of privacy masking area, and can draw up to 4 areas. Supports the drawing function of algorithm masking area, and can draw up to 4 areas. It can effectively shield the interference of leaves and sundries in the background without affecting the integrity of the preview picture.
General	
Package Dimension	512 × 312 × 188 mm
Product Dimension	2.8~12 mm model: 124.6 × 121.0 × 293.0 mm 8~32 mm model: 126.4 × 123.0 × 340.9 mm
Weight	Approx. 1800 g
With Package Weight	Approx. 3500 g
Power Consumption	12 VDC, 1.5 A, max. 18 W PoE: 802.3at, 42.5 V to 57 V, 0.52 A to 0.39 A, max. 22.5 W
Power Interface Type	Two-core terminal block
Power Supply Mode	12 VDC ± 20%, reverse polarity protection PoE: 802.3at, Class 4
Linkage	Upload to FTP/ NAS / memory card, notify surveillance center, send email, trigger recording, trigger capture
Startup and Operating Conditions	-30 °C to 60 °C. Humidity 95% or less(non-condensing)
Storage conditions	-30 °C to 60 °C. Humidity 95% or less(non-condensing)
General Function	One-key reset, anti-flicker, dual streams, heartbeat, mirror, password protection, privacy mask, watermark, IP address filter, flash log, password reset via email
Restore Factory Settings	Support reset button, client or browser recovery
Approval	
Class	Class A
Protection	IP67: IEC 60529-2013

• Available Model

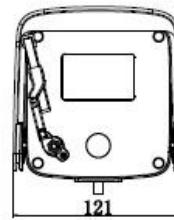
iDS-2CD8A87G0/PW-RWZ(D)

▪ Dimension

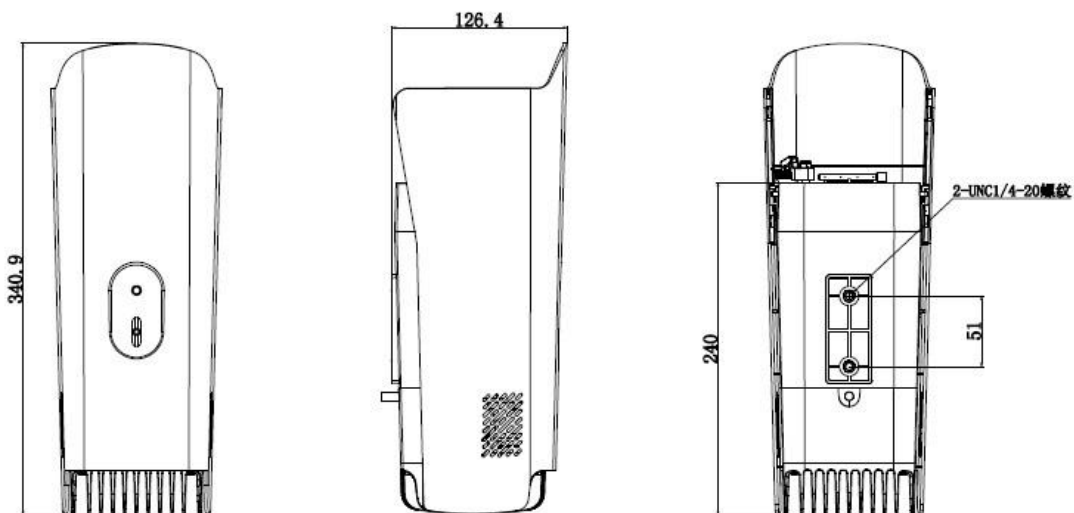
▪ 2.8-12 mm Model



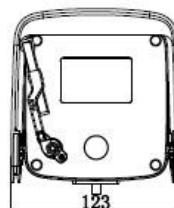
Unit : mm



▪ 8-32 mm Model

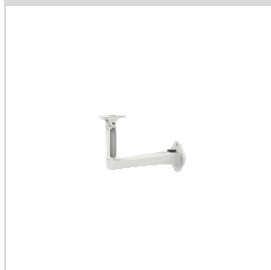


Unit : mm



▪ Accessory

**DS-1293ZJ-High
Wall Mount**



** The product is equipped with universal joint and light shield. It is recommended to equip with 12 VDC, two-core terminal block interface power adapter.*

Headquarters

No.555 Qianmo Road, Binjiang District,
Hangzhou 310051, China
T +86-571-8807-5998
www.hikvision.com



Follow us on social media to get the latest product and solution information.

